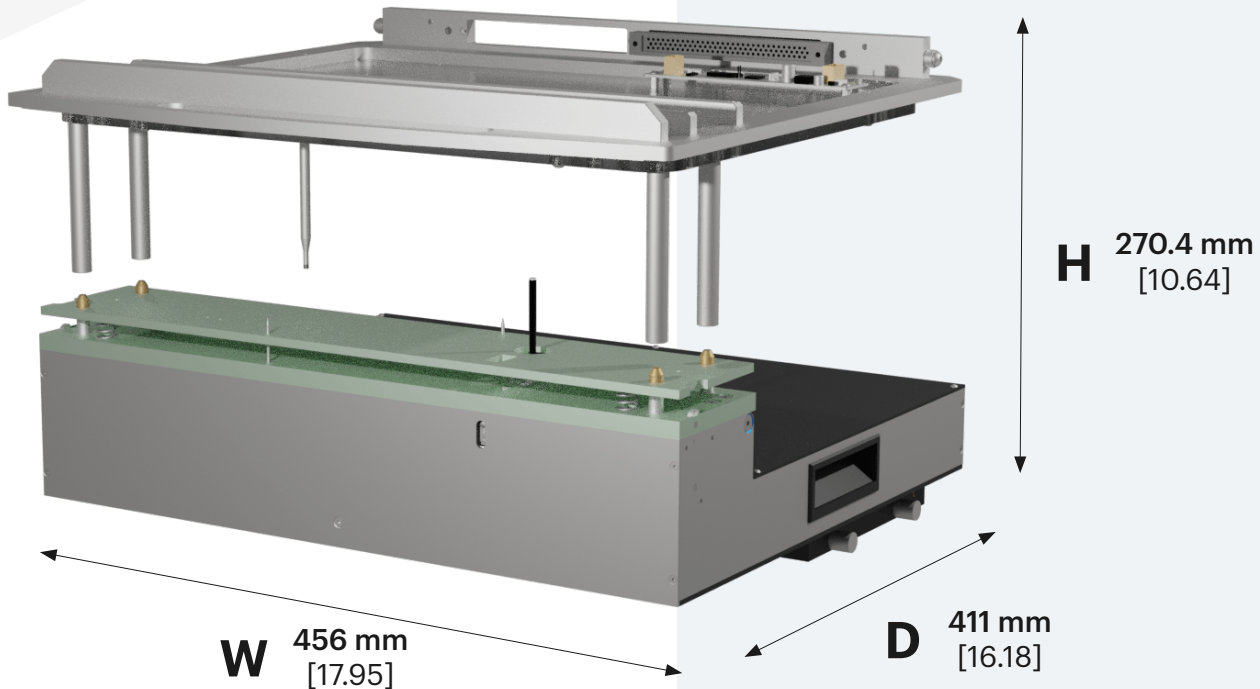


## In-Line Fixture Kit

Equip **ILFS-6TL-VPC-G25**  
In-Line Fixture

# INLINE FIXTURE FOR 6TL HANDLER WITH VPC G25



### Technical Features

- › External Dimension (width x depth x height) with Handles:  
456 mm x 411 mm x 270.4 mm  
[17.95 in x 16.18 in x 10.64 in]
- › Useable Area:  
410 mm x 384 mm  
[16.14 in x 15.12 in]
- › Top and Bottom test
- › Installation height of test probes:  
bottom - 16 mm, top - 16 mm
- › Maximum 640 channels

