

Vacuum Fixture Kit

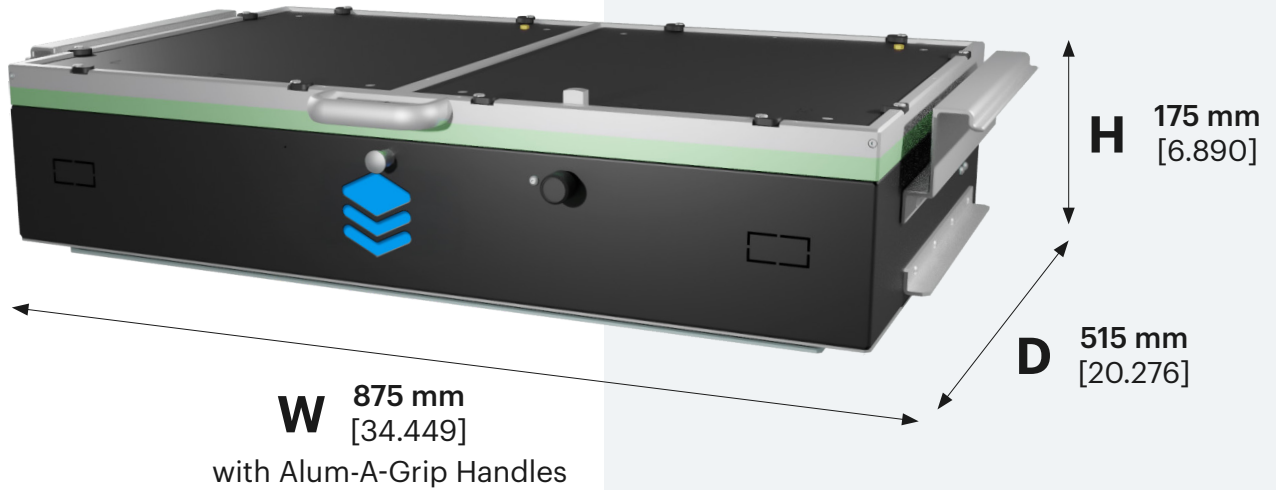
TERADYNE - GENRAD

Equip

TERADYNE - GENRAD - 33/33

Vacuum Tandem Fixture for GR228X

Test Systems



Technical Features

- › External Dimension (width x depth x height) with Handles:
875 mm x 515 mm x 175 mm
[34.449 in x 20.276 in x 6.890 in]
- › Usable Area (not DUT size):
320 mm x 300 mm
[12.598 in x 11.811 in]
- › The Fixture doesn't include a cover
- › Usable Cover Types: Mechanical and Vacuum
- › Installation height test probe bottom: 16 mm
- › Alum-A-Grip Handles for transport and lift

