

# Hand Press Fixture Kit

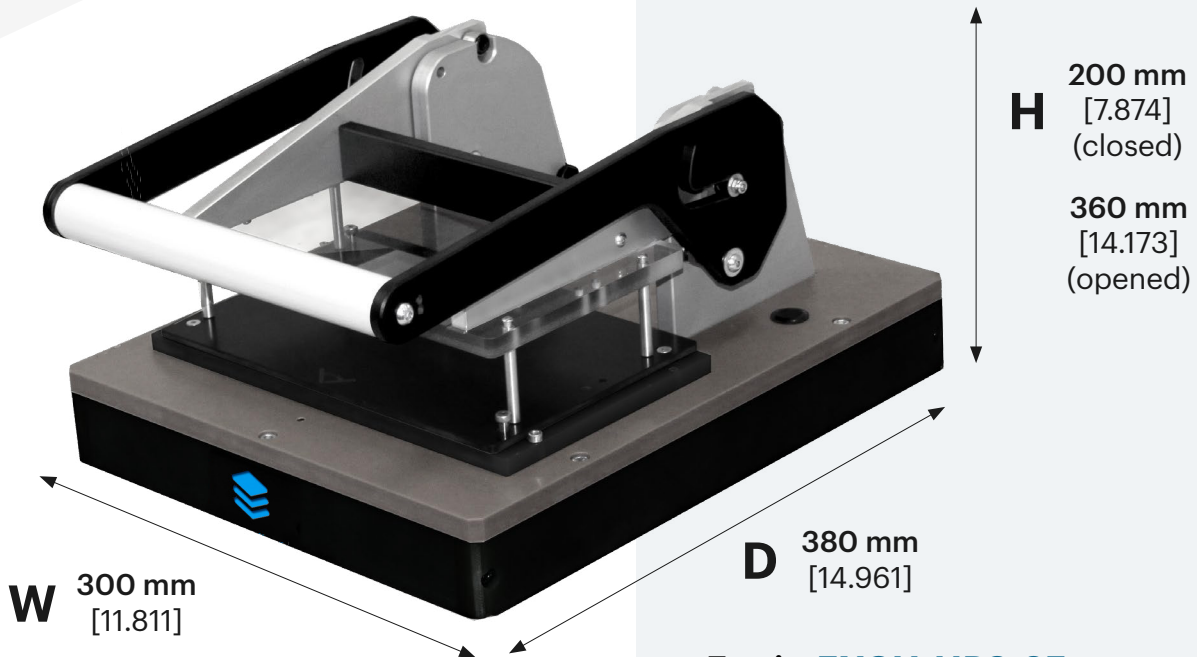
## HPS-25

### Equip HPS-25 Hand Press Single Fixture

Precitronic R&D department has designed a new **Hand Press Fixture** for low pin-count applications.

Ideal for flash programming, rework purposes.

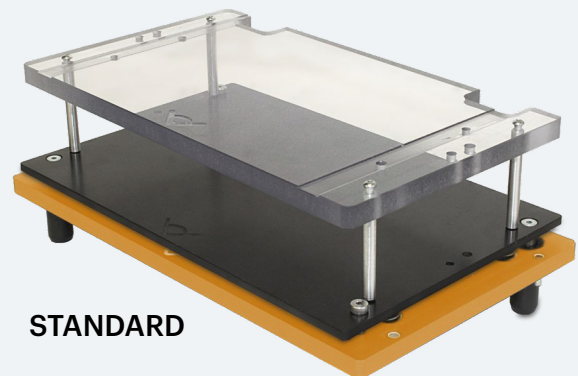
As it has an exchangeable kit feature, it is perfect solution for small, middle batch and/or high-mix productions.



### Technical Features

- › Housing Type: Straight with Single Well
- › Maximal Usable Area:  
200 mm x 125 mm  
[7.874 in x 4.921 in]
- › Contact Force Generation: Manual
- › Ergonomic Handle for easy closing
- › Easy Maintenance & ESD Safe (optional)
- › Exchangeable Kit: **EXCH-HPS-25**
- › Parallel Contact Stroke: 6.4mm [0.253 in]
- › Contact Force: maximum 300 N
- › Max. Component Height: 30 mm [1.181 in]  
\*(PCB is 1.60 mm [0.063 in] thick)
- › Opening Angle (Drive Unit): 80°
- › Weight HPS-25: approx. 4 kg [8.818 lbs]

### Equip **EXCH-HPS-25** Exchangeable Kit (standard)



### Equip **EXCH-HPS-25-ESD** Exchangeable Kit (Optional)

