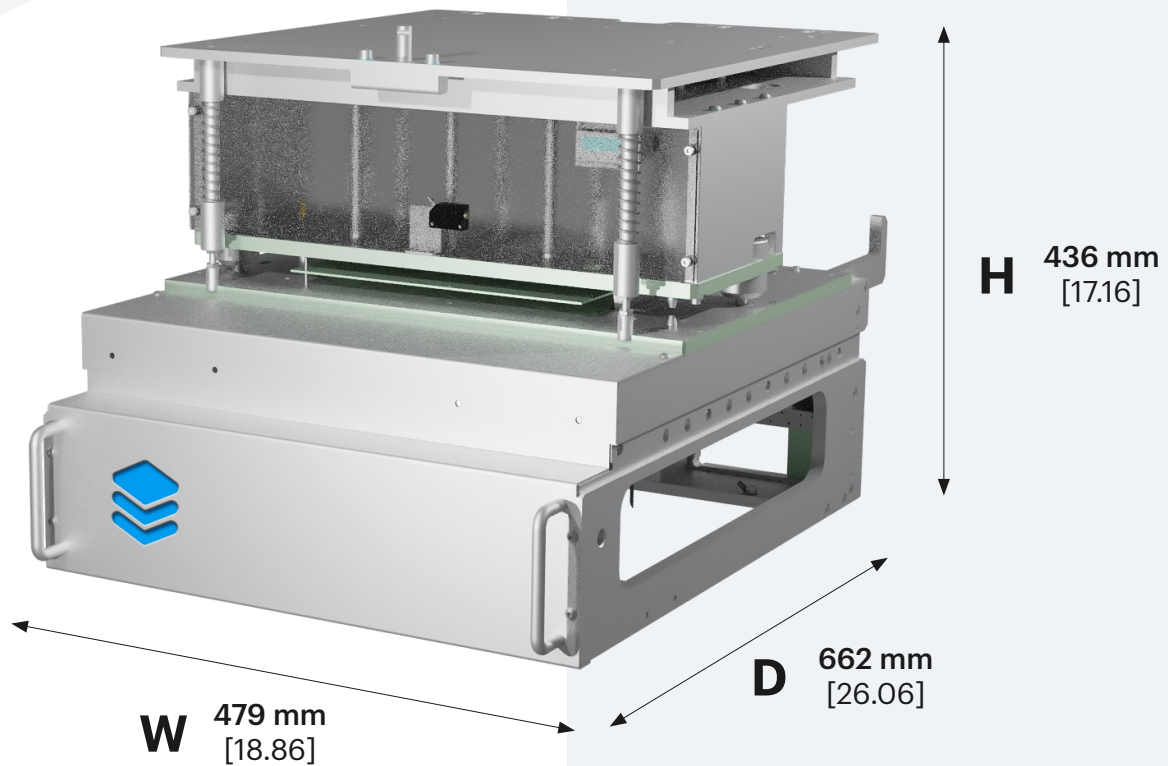


In-Line Fixture Kit

Equip **ILFS-SPEA-3030**
In-Line Fixture

INLINE SPEA 3030 FOR IPTE HANDLER



Technical Features

- › External Dimension (width x depth x height) with Handles:
479 mm x 662 mm x 436 mm
[18.86 in x 26.06 in x 17.16 in]
- › Max DUT size:
175 mm (fix) x 300 mm (variable)
[6.89 in x 13.00 in]
- › Top and Bottom test
- › Installation height of test probes:
bottom - 16 mm, top - 16 mm
- › Maximum 2048 channels

