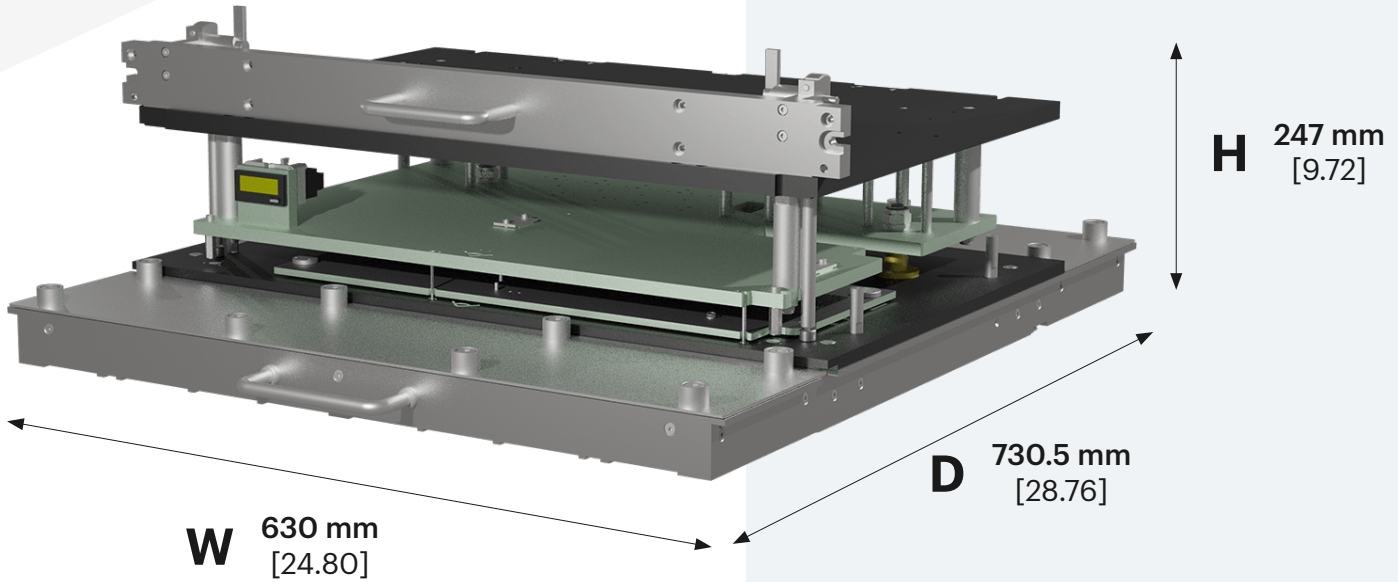


## In-Line Fixture Kit

Equip **ILFS-2A-SPEA3030-BOT44X72-D**  
In-Line Fixture

# INLINE SPEA 3030 FOR IPTE HANDLER



### Technical Features

- › External Dimension (width x depth x height) with Handles:  
**630 mm x 730.5 mm x 247 mm**  
[24.80 in x 28.76 in x 9.72 in]
- › DUT size to be clarified
- › Top and Bottom test
- › Installation height of test probes with receptacles:  
bottom - 16 mm, top - 16 mm
- › Maximum 6336 channels

