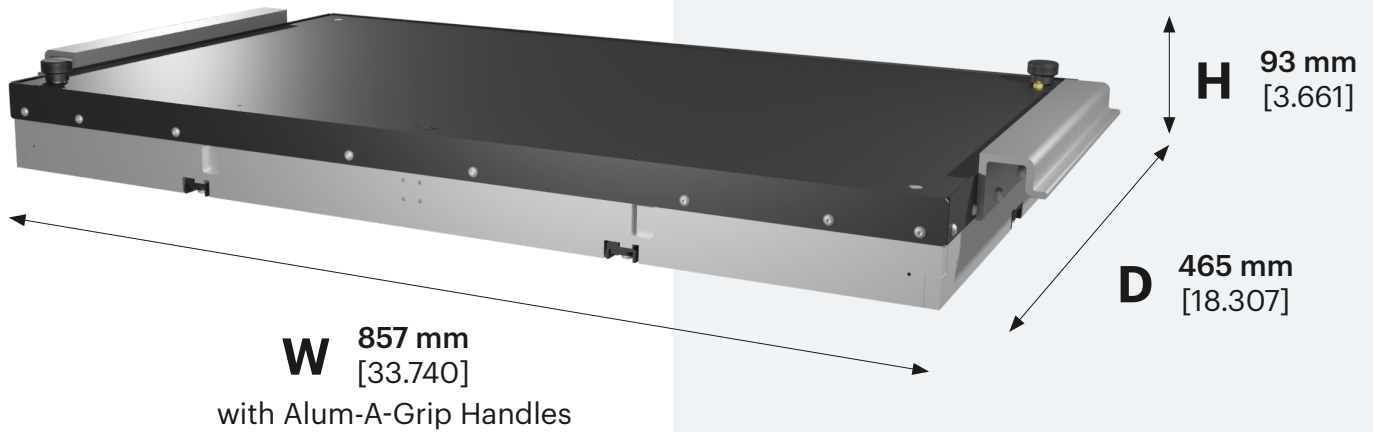


Vacuum Fixture Kit

KEYSIGHT - AGILENT

Equip **Keysight - Agilent - HP3070**
Double - Bank Vacuum Fixture



Technical Features

- › External Dimension (width x depth x height)
with Handles:
857 mm x 465 mm x 93 mm
[33.740 in x 18.307 in x 3.661 in]
- › Usable Area (not DUT size):
680 mm x 400 mm
[26.772 in x 15.748 in]
- › The Fixture doesn't include a cover
- › Usable Cover Types: Mechanical and Vacuum
- › Installation height test probe bottom: 16 mm
- › Alum-A-Grip Handles for transport and lift

