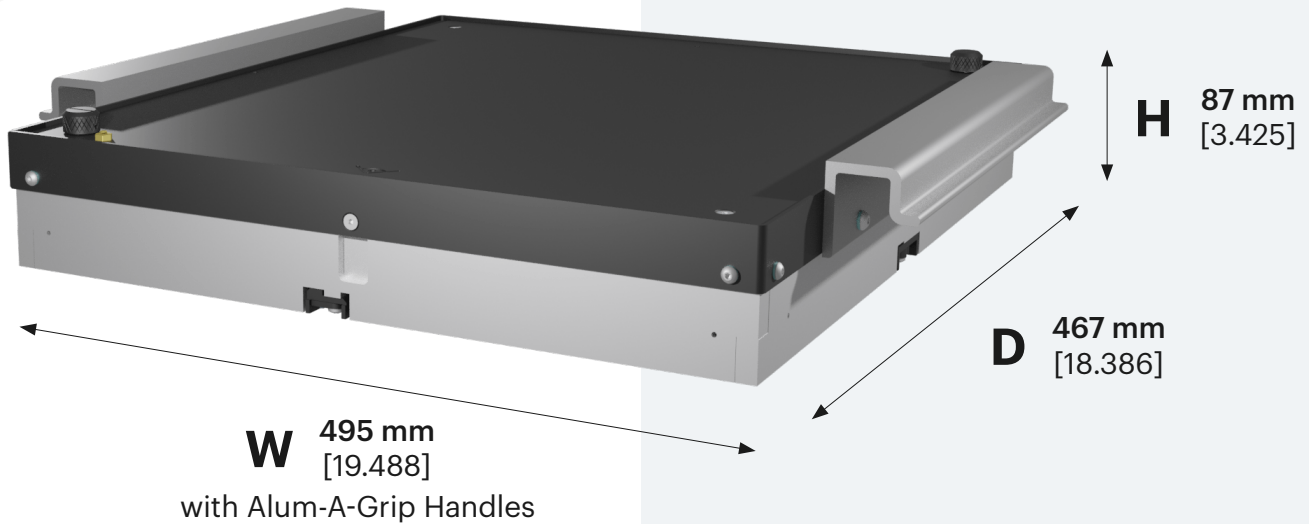


Vacuum Fixture Kit

KEYSIGHT - AGILENT

Equip **Keysight - Agilent - HP3070** Vacuum Fixture



Technical Features

- › External Dimension (width x depth x height)
with Handles:
495 mm x 467 mm x 87 mm
[19.488 in x 18.386 in x 3.425 in]
- › Usable Area (not DUT size):
320 mm x 400 mm
[12.598 in x 15.748 in]
- › The Fixture doesn't include a cover
- › Usable Cover Types: Mechanical and Vacuum
- › Installation height test probe bottom: 16 mm
- › Alum-A-Grip Handles for transport and lift

